



en.honglitrionic.com

Guangzhou Hongli Opto-Electronic Co., Ltd

Add: No.1, Xianke yi Road, Huadong Town, Huadu District, Guangzhou City.

Tel: +86-20-8673 3333 ext 3033

Fax: +86-20-8673 3883

E-mail: fair@honglitrionic.com



Official website



Official wechat

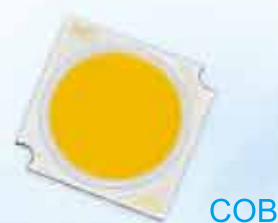


2016 LED PACKAGE

CATALOGUE

Version: Mar. 2016

We are Leading the White Light LEDs



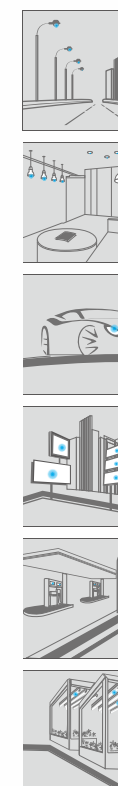
Contents

Introduction

| | |
|--------------------------|----|
| ■ About Honglitronic | 01 |
| ■ Energy Star Laboratory | 02 |
| ■ UL Certificate | 03 |
| ■ LM-80 | 04 |
| ■ Color Rendering Index | 05 |
| ■ White Light Binning | 06 |

Products

| | |
|------------------------------------|-------|
| ■ General Lighting | 07-20 |
| Indoor Lighting | |
| Outdoor Lighting | |
| ■ Automotive LED | 21-24 |
| Interior | |
| Exterior | |
| ■ Indicator & Display Applications | 25-27 |
| Indicator light | |
| Digital display | |
| ■ Industrial Curing | 28-31 |
| Medical sterilization | |
| Industrial curing | |
| Plant growth light | |
| Security system | |
| Flashlight | |
| ■ Package Dimensions | 32-35 |



ABOUT HONGLITRONIC

- ▶ Distributor
- Manufacturer plant



Honglitronic is a top rank LED manufacturer in China, mainly providing LED package and LED lighting application solutions. Honglitronic was founded in 2004, we obtain over 600 patents and have two LED package plants. The head-quarter is in Guangzhou in the south of China and the other one is located in Nanchang. The Nanchang Plant, which covers 66,000 square meters with 1 billion RMB investment (It is expected to put into operation in June 2016).



ENERGY STAR LABORATORY



Honglitronic's laboratory is CNAS (CNAS LAB CODE L7029) accredited, also recognized by US EPA for LED Packages/Arrays/Modules IES LM-80 testing and CIE 127-2007 standard testing. We provide our clients with one-stop-shopping service for our quality products through our leading international expertise, and state of the art product testing facilities.



LM-80



LM-80 testing



T3ster



X-RAY

UL CERTIFICATE

LM-80



9000hrs LM-80 certified:



SMD 5730 (new) SMD4014 2835 (0.2W) 2835 (0.5W) 2835-PCT EMC2835 HV2835

7000hrs LM-80 certified:



SMD5730 LM004 (80W) LM002 (9W) COB LT005 (100W) LM003 (22W)

6000hrs LM-80 certified:



SMD2835 EMC3030 SMD3014 SMD3528 COB LB019 C3535

Honglitrionic LED Package Obtained UL Certificate, Certificate Number: 20151106 - E479533. Please see the UL Online Certifications Directory at www.ul.com/database for more information.

The LED package UL Certificate means that honglitrionic is in search of excellence. The LED components with UL certification could be an advantage for customers in the design of lamps and lanterns because it is allowed to expose directly. Meanwhile, the luminous efficacy increase more than 10% while the cost reduces.

The certified models of LED components are as follows:

| Model Designation | Input type | Maximum Junction Temp(°C) | Environmental Suitability | Enclosure Considerations | Isolation Voltage |
|--------------------------------|-------------|---------------------------|---------------------------|--------------------------|-------------------|
| HL-A-2835DXW-S1-08-HR3 | Nonisolated | 115 | Damp | 4 | 3.4Vdc |
| HL-A-2835HXXXW-S1-08-HR3 | Nonisolated | 115 | Damp | 4 | 3.4Vdc |
| HL-A-4014HXXXW-S1-08-HR3-DM | Nonisolated | 115 | Damp | 4 | 3.4Vdc |
| HL-A-5730DXW-S1-08-HR3 | Nonisolated | 115 | Damp | 4 | 3.4Vdc |
| HL-AT-2835DXW-2C-S1-08-PCT-HR3 | Nonisolated | 115 | Damp | 4 | 6.8Vdc |
| HL-AT-2835DXW-3C-S1-08-PCT-HR3 | Nonisolated | 115 | Damp | 4 | 10.8Vdc |

(Where "X" can be "1~9" and "XXX" can be "101~999" for marketing purpose)

COLOR RENDERING INDEX

WHITE LIGHT BINNING

A wide variety of CRI products

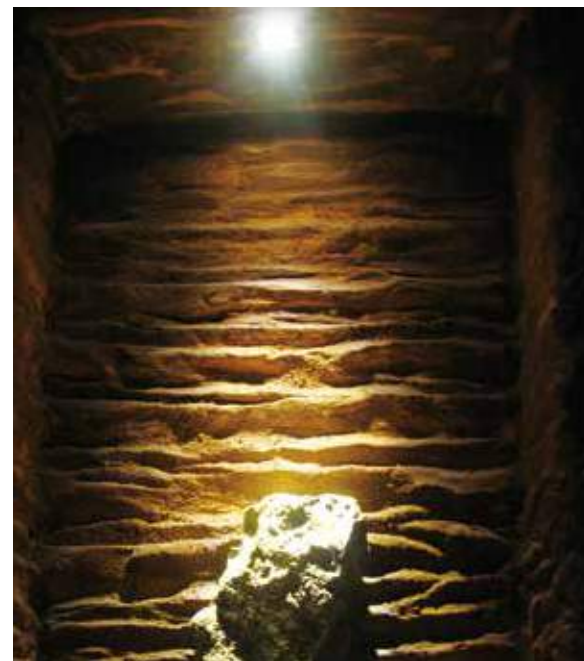
| | |
|-------------|--|
| CRI | Ra 70min |
| Feature | High efficacy type, meet harsh light efficiency demands. |
| Application | For outdoor and industrial lighting |



| | |
|-------------|--|
| CRI | Ra 80min |
| Feature | Cost effective type. Satisfy both high CRI and high light efficiency demands at the same time. |
| Application | For indoor lighting |



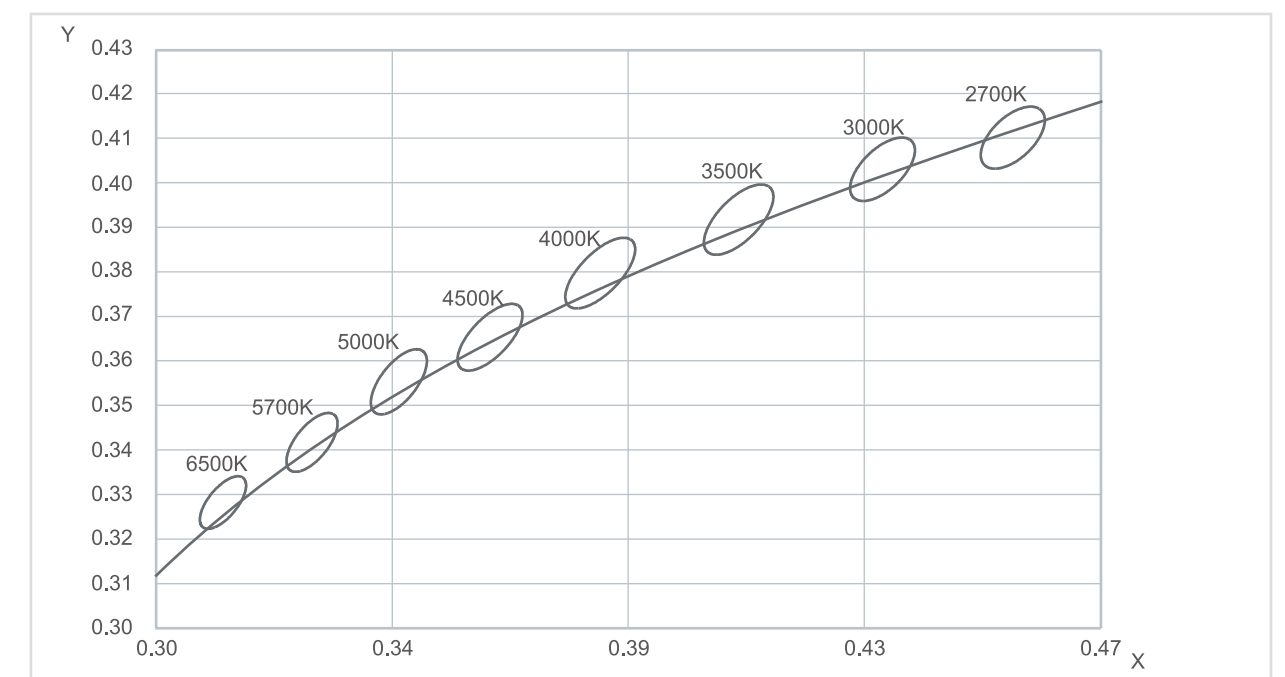
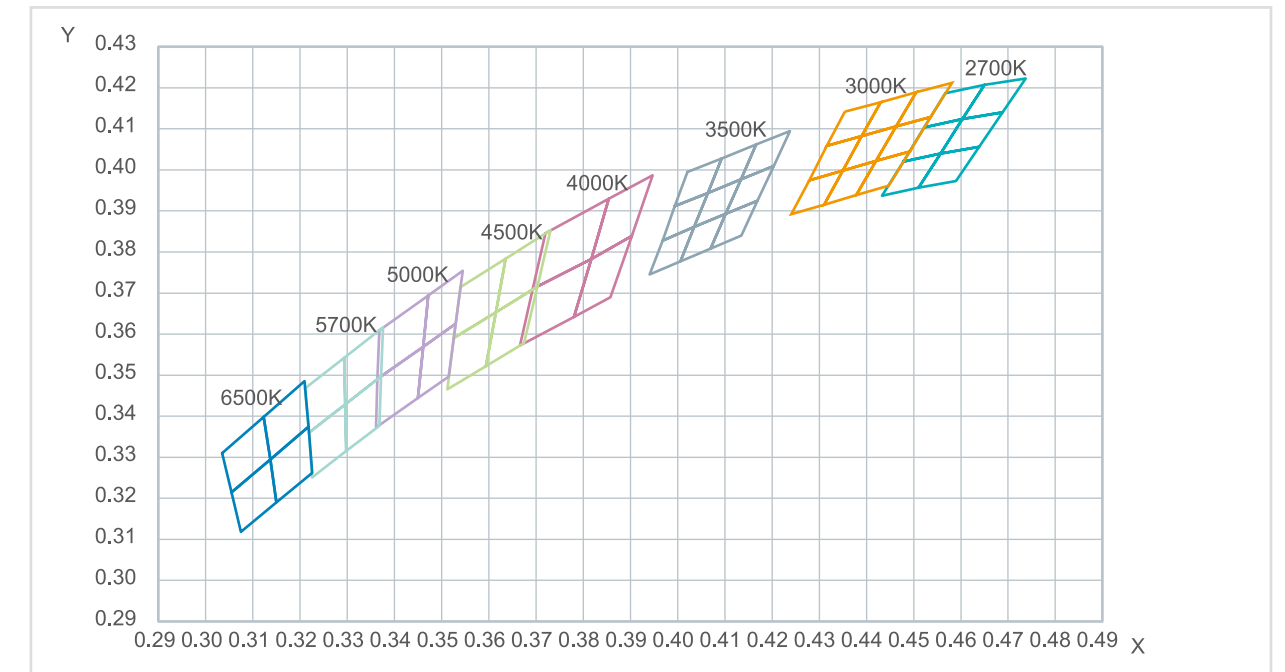
| | |
|-------------|---|
| CRI | Ra 90min |
| Feature | High color rendering type. Light efficiency is higher than most conventional light sources. |
| Application | For special lighting (shop & museum) |



| | |
|-------------|--|
| CRI | Ra 95min |
| Feature | High color rendering type. Meet high color discrimination application. |
| Application | For special lighting (Medical lighting & printing industry) |



Honglitrionic supplies all sorts of color temperature white light products, ranging from warm white(2700K) to cold white(6500K). Honglitrionic products strictly follow international standard-ANSI in chromacity to meet luminaries application accurate chromacity control and demands. At present, we are having Energy Star binning solution and three steps MacAdam binning solution, for different color application demands respectively.



Note: Picture coordinate refer to CIE 1931.

INDOOR LIGHTING



SMD LED

- With testing report of LM – 80, and UL certificate, SMD LED Series products apply universally to LED lighting products in the market, meet the criteria of ANSI or ERP, and satisfy the requirements of high – quality & luminous efficacy, good air-tightness & reliability.

SMD2835-PCT

Features

- Long Life Span, 9000hrs LM-80 certified
- High Efficiency, up to 130lm/W
- Excellent color, 3-step MacAdam ellipse
- High air tightness, New Process PCT 2835, Good Anti-oxidation capacity
- 2835 PCT available in 3V, 6V, 9V, 18V, 24V, 36V



- Bulb



| Product Model | CCT(K) | Φ(lm) Typ | Ra≥ | VF(V) | | Rth J-S (°C/W) | IF(mA) |
|--------------------------------|--------|-----------|-----|-------|------|-------------------|--------|
| | | | | Min | Max | | |
| ATS-2835H489W-3C-S1-08-PCT-HR3 | 3000 | 63 | 80 | 8.8 | 10.8 | 25 | 60 |
| | 6000 | 67 | | | | | |
| ATS-2835H421W-2C-S1-08-PCT-HR3 | 3000 | 60 | 80 | 5.2 | 7 | 22 | 80 |
| | 6000 | 63 | | | | | |
| ATS-2835D3W-2C-S1-08-PCT-HR3 | 3000 | 80 | 80 | 5.6 | 6.8 | 22 | 100 |
| | 6000 | 83 | | | | | |
| ATS-2835D1W-2C-S1-08-PCT-HR3 | 3000 | 105 | 80 | 5.6 | 6.8 | 22 | 150 |
| | 6000 | 115 | | | | | |
| ATS-2835H421W-3C-S1-08-PCT-HR3 | 3000 | 105 | 80 | 8.8 | 10.8 | 22 | 80 |
| | 6000 | 110 | | | | | |
| ATS-2835D3W-3C-S1-08-PCT-HR3 | 3000 | 117 | 80 | 8.8 | 10.8 | 22 | 100 |
| | 6000 | 123 | | | | | |
| ATS-2835D1W-3C-S1-08-PCT-HR3 | 3000 | 125 | 80 | 8.8 | 10.8 | 18 | 120 |
| | 6000 | 135 | | | | | |
| ATS-2835D42W-2C-S1-08-PCT-HR3 | 3000 | 128 | 80 | 5.2 | 7 | 10 | 150 |
| | 6000 | 138 | | | | | |
| ATS-2835D46W-2C-S1-08-PCT-HR3 | 3000 | 115 | 80 | 5.6 | 6.8 | 12 | 150 |
| | 6000 | 125 | | | | | |

SMD2835

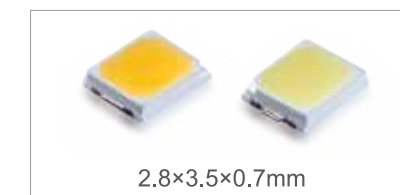


- Tube Light



| Product Model | CCT(K) | Φ(lm) Typ | Ra≥ | VF(V) | | Rth J-S (°C/W) | IF(mA) |
|-------------------------|--------|-----------|-----|-------|-----|-------------------|--------|
| | | | | Min | Max | | |
| AM-2835H489W-S1-08L-HR3 | 3000 | 24 | 80 | 2.8 | 3.4 | 50 | 60 |
| | 6000 | 25 | | | | | |
| AM-2835H421W-S1-08-HR3 | 3000 | 26 | 80 | 2.8 | 3.4 | 40 | 60 |
| | 6000 | 27 | | | | | |
| AM-2835H511W-S1-08-HR3 | 3000 | 27 | 80 | 2.8 | 3.4 | 40 | 60 |
| | 6000 | 29 | | | | | |

SMD2835



- Tube Light - Down Light



| Product Model | CCT(K) | Φ(lm) Typ | Ra≥ | VF(V) | | Rth J-S (°C/W) | IF(mA) |
|----------------------|--------|-----------|-----|-------|-----|-------------------|--------|
| | | | | Min | Max | | |
| A-2835D1W-S1-08-HR3 | 3000 | 58 | 80 | 2.8 | 3.4 | 30 | 150 |
| | 6000 | 62 | | | | | |
| A-2835D46W-S1-08-HR3 | 3000 | 60 | 80 | 2.8 | 3.4 | 30 | 150 |
| | 6000 | 64 | | | | | |
| A-2835D42W-S1-08-HR3 | 3000 | 65 | 80 | 2.8 | 3.4 | 30 | 150 |
| | 6000 | 70 | | | | | |

INDOOR LIGHTING

SMD3014



- Panel Light - Table lamp



| Product Model | CCT(K) | Φ(lm) Typ | (lm/W)Typ | Ra≥ | VF(V) | | Rth J-S (°C /W) | IF(mA) |
|-----------------------|--------|-----------|-----------|-----|-------|-----|--------------------|--------|
| | | | | | Min | Max | | |
| A-3014H421W-S1-08-HR3 | 3000K | 13 | 140 | 80 | 2.6 | 3.2 | 50 | 30 |
| | 6000K | 13.5 | 145 | | | | | |
| A-3014H416W-S1-08-HR3 | 3000K | 12 | 135 | 80 | 2.6 | 3.2 | 50 | 30 |
| | 6000K | 12.5 | 140 | | | | | |

SMD4014

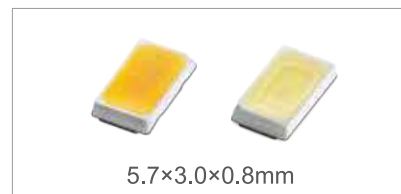


- Panel Light - Table lamp



| Product Model | CCT(K) | Φ(lm) Typ | (lm/W)Typ | Ra≥ | VF(V) | | Rth J-S (°C /W) | IF(mA) |
|-------------------------|--------|-----------|-----------|-----|-------|-----|--------------------|--------|
| | | | | | Min | Max | | |
| A-4014H421W-S1-HR3-DM | 3000K | 25 | 135 | 80 | 2.8 | 3.4 | 35 | 60 |
| | 6000K | 26 | 140 | | | | | |
| A-4014H489W-S1-HR3-DM-L | 3000K | 23 | 120 | 80 | 2.8 | 3.4 | 35 | 60 |
| | 6000K | 25 | 130 | | | | | |

SMD5730

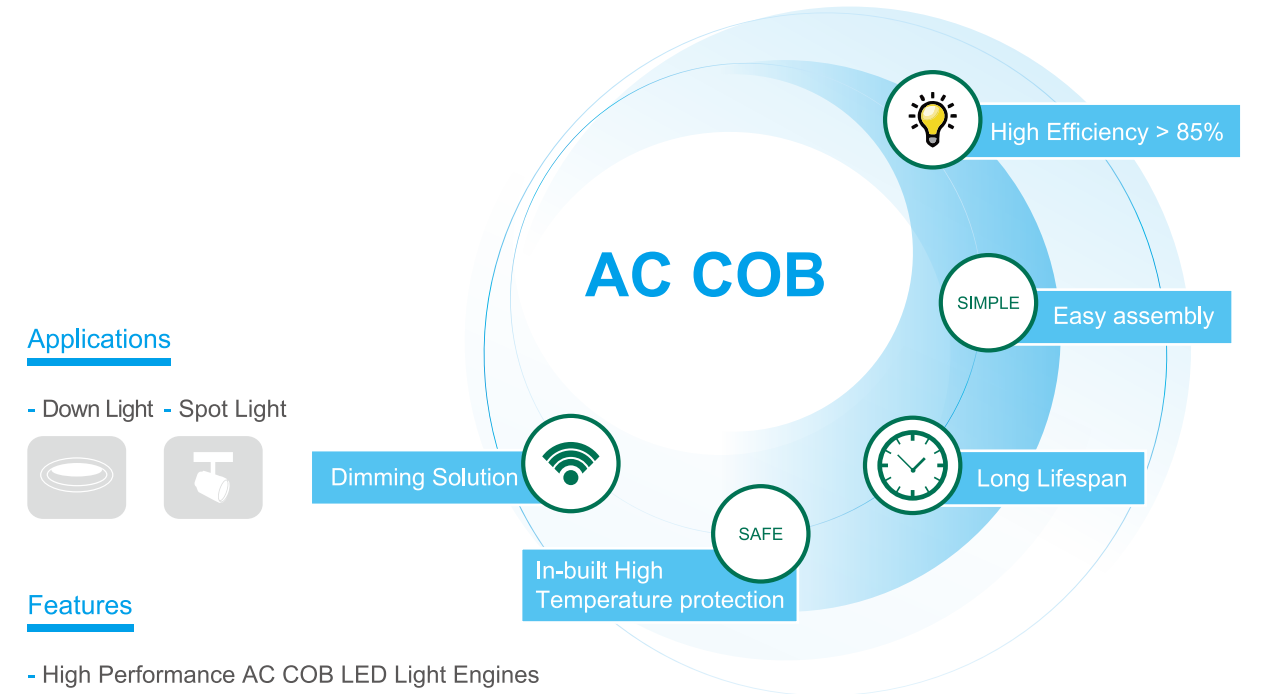


- Down Light - Spot Light



| Product Model | CCT(K) | Φ(lm) Typ | (lm/W)Typ | Ra≥ | VF(V) | | Rth J-S (°C /W) | IF(mA) |
|--------------------------|--------|-----------|-----------|-----|-------|-----|--------------------|--------|
| | | | | | Min | Max | | |
| A-5730D34W-S1-08-HR3(LY) | 3000K | 63 | 133 | 80 | 2.8 | 3.4 | 25 | 150 |
| | 6000K | 65 | 140 | | | | | |
| A-5730D1W-S1-08-HR3(LY) | 3000K | 58 | 120 | 80 | 2.8 | 3.4 | 30 | 150 |
| | 6000K | 60 | 125 | | | | | |

WHY CHOOSE HONGLITRONIC AC LED LIGHT ENGINES?



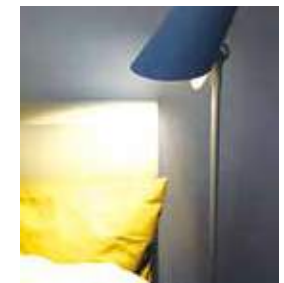
Applications

- Down Light - Spot Light

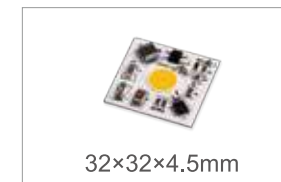


Features

- High Performance AC COB LED Light Engines
- Simplified on-board power supply, Easy Assembly
- High Efficiency (> 85%), High Power Factor (PF > 0.95), Low THD (<20%)
- Surge protection circuit: (0.5KV~2KV), Hi-pot (>4KV)
- Triac dimming
- Wide operating voltage range (200-240V)
- RoHS compliant



AC LE002



AC LE003



AC LE004



Product Specification

| Product Model | CCT(K) | Ra≥ | Power(W) | VF(V) | Φv(lm) typ. | Luminous dimensions(mm) |
|---------------|--------|-----|----------|--------|-------------|-------------------------|
| LE002 | 3000 | 80 | 10 | 230VAC | 950 | Φ11.2 |
| | 5700 | | | | 1000 | |
| LE003 | 3000 | 80 | 20 | 230VAC | 1850 | Φ17 |
| | 5700 | | | | 1950 | |
| LE004 | 3000 | 80 | 30 | 230VAC | 2800 | Φ20 |
| | 5700 | | | | 2900 | |

INDOOR LIGHTING

COB LM Series

Features

- Anti-sulfuration design
- LM-80 (7000H) certified
- High efficacy, up to 150lm/w (Ra>80)
- Large scale production for Ra>90
- Compatible with various drivers
- MacAdam 3Steps color binning range



Applications

- Spot Light



- Down Light



LM002 Series(3-18w)



LM003 Series(10-35w)



LM004 Series(20-80w)



Product Specification

| Product Model | CCT(K) | Ra≥ | Power range(W) | IF(mA) | Recommended power(W) | Φv(lm) typ. | VF(V) typ. | Luminous dimensions (mm) | Efficacy (lm/W)Typ |
|-------------------|--------|-----|----------------|--------|----------------------|-------------|------------|--------------------------|--------------------|
| LM002H384W-5B2C12 | 3000 | 80 | 4.2-11.5 | 200 | 7.2 | 900 | 37 | Φ11.2±0.2 | 125 |
| | 5700 | | | | | 920 | | | 128 |
| LM002H384W-7B3C12 | 3000 | 80 | 6.3-17.2 | 250 | 9 | 1120 | 37 | | 124 |
| | 5700 | | | | | 1150 | | | 128 |
| LM002H384W-9B4C12 | 3000 | 80 | 8.4-22.9 | 350 | 12.6 | 1540 | 37 | | 122 |
| | 5700 | | | | | 1600 | | | 127 |

| Product Model | CCT(K) | Ra≥ | Power range(W) | IF(mA) | Recommended power(W) | Φv(lm) typ. | VF(V) typ. | Luminous dimensions (mm) | Efficacy (lm/W)Typ |
|--------------------|--------|-----|----------------|--------|----------------------|-------------|------------|--------------------------|--------------------|
| LM003H384W-11B5C12 | 3000 | 80 | 10.5-29 | 500 | 18 | 2100 | 37 | Φ17±0.2 | 117 |
| | 5700 | | | | | 2190 | | | 122 |
| LM003H384W-15B7C12 | 3000 | 80 | 14.6-40.6 | 600 | 21.6 | 2550 | 37 | | 118 |
| | 5700 | | | | | 2650 | | | 123 |
| LM003H384W-17B8C12 | 3000 | 80 | 16.7-46.2 | 700 | 25.2 | 3000 | 37 | | 119 |
| | 5700 | | | | | 3120 | | | 124 |

| Product Model | CCT(K) | Ra≥ | Power range(W) | IF(mA) | Recommended power(W) | Φv(lm) typ. | VF(V) typ. | Luminous dimensions (mm) | Efficacy (lm/W)Typ |
|---------------------|--------|-----|----------------|--------|----------------------|-------------|------------|--------------------------|--------------------|
| LM004H384W-20B10C12 | 3000 | 80 | 21-57.9 | 1000 | 37 | 4370 | 37 | Φ24.5±0.2 | 118 |
| | 5700 | | | | | 4620 | | | 125 |
| LM004H384W-30B14C12 | 3000 | 80 | 29.4-81 | 1200 | 43.8 | 5150 | 37 | | 118 |
| | 5700 | | | | | 5400 | | | 123 |
| LM004H384W-35B16C12 | 3000 | 80 | 33.6-92.6 | 1300 | 46.8 | 5600 | 37 | | 119 |
| | 5700 | | | | | 5800 | | | 124 |
| LM004H384W-40B18C12 | 3000 | 80 | 37-102.5 | 1500 | 54 | 6300 | 37 | 116 | |
| | 5700 | | | | | 6500 | | 120 | |

OUTDOOR LIGHTING



COB LT Series

- Honglitronic COB LT series (20-150W), 10+ domestic and International patents, Excellent light output, Low thermal resistance, Completely replace traditional integrated module, available with exclusive buckle for easy assembly and protection; It is the first-class easy – to – use COB integrated light source with low thermal resistance. It is good solution for outdoor lighting application.

LT005 (20-150W)



Applications

- Street light



- Tunnel lamp



Features

- LM-80 (7000H) certified
- Power range: 20-150W
- Low thermal resistance $R_{th} < 0.4 \text{ } ^\circ\text{C/W}$
- Available with exclusive buckle for easy assembly and protection
- MacAdam4 Steps color binning range
- Competitive price



Product Specification



| Product Model | CCT (K) | Ra \geq | Power range(W) | w (mA) | Recommended power(W) | Φ_v (lm) typ | V _F (V) typ | Luminous dimensions (mm) | Efficacy (lm/W)Typ |
|---------------------|---------|-----------|----------------|--------|----------------------|-------------------|------------------------|--------------------------|--------------------|
| LT005F38W-20B2C10 | 3000 | 70 | 15-27.2 | 700 | 22 | 2420 | 31.5 | 23.5x23.5 | 110 |
| | 5700 | | | | | 2500 | | | 114 |
| LT005F38W-30B3C10 | 3000 | 70 | 23-40.8 | 1050 | 33 | 3600 | 31.5 | | 109 |
| | 5700 | | | | | 3900 | | | 118 |
| LT005F38W-50B5C10 | 3000 | 70 | 38-68 | 1750 | 55 | 6000 | 31.5 | | 109 |
| | 5700 | | | | | 6350 | | | 115 |
| LT005F38W-70B7C10 | 3000 | 70 | 53-95 | 2450 | 77 | 8000 | 31.5 | | 105 |
| | 5700 | | | | | 8550 | | | 111 |
| LT005F38W-100B10C10 | 3000 | 70 | 65-136 | 3500 | 110 | 11000 | 31.5 | | 100 |
| | 5700 | | | | | 11800 | | | 107 |
| LT005F38W-120B10C12 | 3000 | 70 | 80-148.8 | 3500 | 132 | 12500 | 31.5 | | 95 |
| | 5700 | | | | | 14000 | | | 106 |
| LT005F38W-150B12C12 | 3000 | 70 | 95-180 | 4200 | 159 | 14500 | 31.5 | 92 | |
| | 5700 | | | | | 15700 | | 99 | |

OUTDOOR LIGHTING

HIGH POWER C3535

Features

- Good thermal - conductivity ceramic substrate and low thermal resistance
- Eutectic techniques with good reliability and high efficiency
- 3535: smaller package size
- Good for light fixture design and secondary optical design
- RoHS compliant



C3535



Applications

- Street light



- Tunnel lamp



Product Specification

| Product Model | CCT(K) | Φv(lm) | RA(min) | VF(V) | | IF(mA) |
|----------------------|-----------|-----------|---------|-------|-----|---------|
| | | | | min | Max | |
| C3535F22W1EA(RA1)-D2 | 2870-3220 | 120@350mA | 70 | 2.8 | 3.6 | 350-700 |
| | 5310-6020 | 135@350mA | | | | |

OUTDOOR LIGHTING

PORTABLE LIGHTING



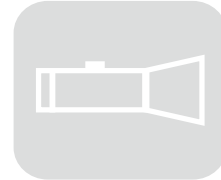
C3535

Features

- Good thermal - conductivity ceramic substrate and low thermal resistance
- Small - size package is good for light fixture design and secondary optical design
- Vertical dice package with higher light output density
- Flashlight with lens has a larger linear light intensity, high beam in effect

Applications

- Flashlight



C3535-GQ



C5050-GQ



Product Specification

| Product Model | IF(mA) | P(W) | Φ(lm) | CCT(K) | VF(V) | Ra(min) |
|------------------------|--------|------|---------|------------|---------|---------|
| HL-C3535F3W3EA(Ra1)-GQ | 350 | 1 | 110-125 | 7500-16000 | 3.0-3.6 | 70 |
| HL-C3535F3W3EA(Ra1)-GQ | 700 | 3 | 180-240 | 7500-16000 | 3.2-3.8 | 70 |
| HL-C5050K8W5BB(Ra1)-GQ | 1500 | 5 | 450-530 | 7500-16000 | 3.2-3.8 | 70 |



HIGH POWER E SERIES



Features

- Long operating life, High flux
- Low voltage DC operated
- Anti UV
- RoHS compliant

Applications

- Flood lamp



Product Specification

| Product Model | CCT(K) | Φv(lm)typ. | Ra≥ | VF(V) | | IF(mA) |
|-----------------|-----------|------------|-----|-------|-----|--------|
| | | | | min | Max | |
| EF22W3NAMS(Ra1) | 2870-3220 | 220 | 70 | 3.2 | 3.8 | 700 |
| | 5310-6020 | 250 | | | | |
| EF45W1NAMS(Ra1) | 2870-3220 | 130 | 70 | 3.0 | 3.6 | 350 |
| | 5310-6020 | 140 | | | | |



OUTDOOR LIGHTING



Applications

- Strip Light



Product Specification

| Product Model | CCT(K) | Φ(lm) Typ | Ra≥ | VF(V) | | Rth J-S (°C /W) | IF(mA) |
|-----------------------------|--------|-----------|-----|-------|-----|--------------------|--------|
| | | | | Min | Max | | |
| AF-5060H271BU46FU79GC-S1-T1 | R | 460mcd | / | 1.8 | 2.4 | / | 20mA*3 |
| | G | 1300mcd | | 2.8 | 3.4 | | |
| | B | 270mcd | | 2.8 | 3.4 | | |
| AF-5060H343W-3-S1-T1-HR3 | 3000 | 21 | 80 | 2.8 | 3.4 | 30 | 20mA*3 |
| | 6000 | 23 | | | | | |
| AF-5060H415W-3-S1-TL-HR3 | 3000 | 20 | 80 | 2.8 | 3.4 | 30 | 20mA*3 |
| | 6000 | 22 | | | | | |
| AF-5060H252W-3-S1-T1-HR3 | 3000 | 25 | 80 | 2.8 | 3.4 | 30 | 20mA*3 |
| | 6000 | 26 | | | | | |

SMD 5060

Features

- Long lifespan, high CRI
- Available in Multi Colors



AUTOMOTIVE LED



- Aiming at the market of automotive interior and exterior LED lighting applications, Honglitrionic presents its automotive LED series with high brightness, good reliability and low electricity consumption which are available in the market. The products, with ISO/TS16449 QMS certification, are applied to dashboard backlight, headlight, DRL, automotive working light etc.



dashboard backlight button backlight interior lighting



working light
DRL headlight stop light turn light

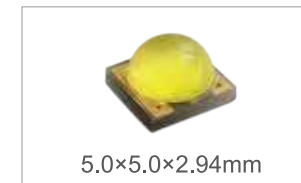
Features

- Honglitrionic's high power LED C5050/C2525/C2016, with small – size package and better luminous efficacy, is good for light fixture design and secondary optical design. The ceramic – package LEDs, based on eutectic techniques, have good reliability and high efficacy which are able to meet the strict requirements of automotive lighting environment.

Applications

- Head lamp
- Working light

C5050



C2525



C2016



Product Specification

| Product Model | CCT(K) | Ra≥ | Power(W) | IF(mA) | Φ(lm) | VF(V) |
|-------------------------------|-----------|-----|----------|--------|-----------|---------|
| C5050F77W10BB(Ra1)-2B2C-FC-CZ | 5665-7040 | 70 | 12 | 2000 | 1100-1300 | 5.8-7.0 |
| C2525F82W3EA(RA1)-FC-D2 | 6020-7040 | 70 | 2.3 | 700 | 240-260 | 3.0-3.6 |
| | 7040-8210 | | | | | |
| C2016K9W3CB-FC-CZ | 5665-7040 | 70 | 3 | 1000 | 300-350 | 2.9-3.5 |



AUTOMOTIVE LED

Applications

- Turn signal
- Stop light
- Dashboard backlight

SMD2835



SMD3528



1608



Product Specification



| Product Model | λd(nm) | | Iv(mcd)Typ | VF(V) | | IF(mA) |
|----------------------|--------|-----|------------|-------|-----|--------|
| | Min | Max | | Min | Max | |
| A-2835U38FC-S1-08-CZ | 617 | 627 | 2200 | 1.8 | 2.4 | 60 |
| A-2835U32YC-S1-08-CZ | 586 | 596 | 2800 | 1.8 | 2.4 | 60 |

| Product Model | λd(nm) | | Iv(mcd)Typ | VF(V) | | IF(mA) |
|----------------------|--------|-----|------------|-------|-----|--------|
| | Min | Max | | Min | Max | |
| A-3528U38FC-S1-13-CZ | 617 | 627 | 780 | 1.8 | 2.4 | 20 |
| A-3528U32YC-S1-13-CZ | 586 | 596 | 780 | 1.8 | 2.4 | 20 |

| Product Model | (X/Y) | Iv(mcd)Typ | VF(V) | | IF(mA) |
|---------------|------------|------------|-------|-----|--------|
| | | | Min | Max | |
| PST-1608H233W | 0.26/0.255 | 660 | 2.7 | 3.3 | 10 |

INDICATOR & DISPLAY APPLICATIONS

CHIP LED

Features

- Low power consumption, wide viewing angle
- Variety of color, Flexible design
- Reflow solderable
- RoHS compliant



1608



2012



3216



Applications

- Indicator light
- Backlight
- Display
- Car dashboard

Product Specification

| Product Model | (X/Y) | Iv(mcd)Typ | VF(V) | | IF(mA) |
|---------------|------------|------------|-------|-----|--------|
| | | | Min | Max | |
| PST-1608H233W | 0.26/0.255 | 550 | 2.7 | 3.3 | 10 |
| PSC-2012H233W | 0.26/0.255 | 1300 | 2.8 | 3.4 | 20 |
| PC-3216H233W | 0.26/0.255 | 1300 | 2.8 | 3.4 | 20 |

Applications

- Advertising Signboard



SMD2835



SMD3014



SMD5730



Product Specification

| Product Model | CCT(K) | Φ(lm) Typ | Ra≥ | VF(V) | | Rth J-S (°C /W) | IF(mA) |
|--------------------------|--------|-----------|-----|-------|-----|-----------------|--------|
| | | | | Min | Max | | |
| A-2835D1W-S1-08-HR1 | 7200 | 60 | 70 | 2.8 | 3.4 | 30 | 150 |
| | 10000 | 58 | | | | | |
| A-3014H378W-S1-08-HR1 | 6500 | 12 | 70 | 2.6 | 3.2 | 50 | 30 |
| | 10000 | 11.5 | | | | | |
| A-5730D34W-S1-08-HR3(LY) | 6000 | 65 | 80 | 2.8 | 3.4 | 30 | 150 |
| | 3000 | 63 | | | | | |



MEDICAL STERILIZATION & INDUSTRIAL CURING

- Honglitrionic UV LED 200nm-280nm, 280nm-315nm, 315nm-410nm, has high efficiency and competitive cost, RoHS compliant; It can be applied to various UV lighting products, such as medical sterilization, Industrial curing, nail lamp, photo-catalyst, Anti-counterfeiting detection.



UV LED-C3535/G6363

Features

- Electrically neutral thermal path ceramic substrate with high thermal conductivity and low resistance
- Special glue material, strong resistance against UV impact
- Strict reliability experiment, high luminous efficacy
- Full UV spectrum enables light distribution optionally

Applications

- Medical sterilization
- Industrial curing
- Nail lamp
- Photo-catalyst
- Anti-counterfeiting detection



C3535
(280/310nm)



C3535
(365/385/395/405nm)



G6363
(280/310nm)



G6363
(365nm)



Product Specification

| Product Model | VF(V) | IF(mA) Standard | Optical Power (Typ) | Peak Wavelength |
|-------------------------|----------|-----------------|---------------------|-----------------|
| C3535S14V280-D1-LVR15 | 5.0-7.0V | 20mA | ≥0.9mW | λp=275-285nm |
| C3535S15V310-D1-LVR15 | 5.0-7.0V | 20mA | ≥0.5mW | λp=305-315nm |
| C3535F7V365-D1-LVR9 | 3.0-4.0V | 500mA | ≥450mW | λp=360-370nm |
| C3535F8V385-D1-LVR9 | 3.0-4.0V | 500mA | ≥650mW | λp=380-390nm |
| C3535F9V395-D1-LVR9 | 3.0-3.8V | 500mA | ≥700mW | λp=390-400nm |
| C3535F10V405-D1-LVR9 | 3.0-3.8V | 500mA | ≥750mW | λp=400-410nm |
| G6363S14V280-B2C2-LVR15 | 10-14V | 40mA | ≥3.0mW | λp=275-285nm |
| G6363S15V310-B2C2-LVR15 | 10-14V | 40mA | ≥1.6mW | λp=305-315nm |
| G6363F7V365-B2C2-LVR9 | 6.0-8.0V | 1000mA | ≥980mW | λp=360-370nm |



INDUSTRIAL CURING

UV LED-2835

Features

- Specially customized 2835 lead frame for UV with better thermal conductivity performance
- Special glue material, strong resistance against UV impact
- Long lifetime and good reliability
- 2835 SMT standard, convenient for SMT process

Applications

- Industrial curing
- Nail lamp
- Photo-catalyst
- Anti-counterfeiting detection

2835-D1 (single chip)



2835-B2 (dual chips)



Product Specification

| Product Model | VF(V) | IF(mA) | Optical Power (Typ) | Peak Wavelength |
|---------------------|----------|--------|---------------------|-----------------|
| A-2835S21V365-D1-S1 | 3.0-4.0V | 20mA | ≥3.5mW | λP=360-370nm |
| A-2835S20V385-D1-S1 | | 20mA | ≥9mW | λd=380-390nm |
| A-2835S18V395-D1-S1 | | 20mA | ≥12mW | λd=390-400nm |
| A-2835S11V405-D1-S1 | | 20mA | ≥13mW | λp=400-410nm |
| A-2835S21V365-B2-S1 | 3.0-4.0V | 60mA | ≥6mW | λP=360-370nm |
| A-2835S20V385-B2-S1 | | 60mA | ≥15mW | λd=380-390nm |
| A-2835S18V395-B2-S1 | | 60mA | ≥20mW | λd=390-400nm |
| A-2835S11V405-B2-S1 | | 60mA | ≥20mW | λp=400-410nm |



SECURITY SYSTEM

INFRARED LED

Features

- Low power consumption, Good angle directivity
- Multi – angle options
- Applicable to wave - soldering technique
- RoHS compliant

Applications

- Electronic Whiteboard
- Induction device
- Electronic Surveillance Device



φ3



φ5



Product Specification

| Product Model | Angle(°) | WD(nm) | I0(mw/sr) | VF(V) | | IF(mA) |
|---------------|----------|--------|-----------|-------|-----|--------|
| | | | | min | max | |
| 304IR3C-L3 | 30 | 940 | 26 | 1.3 | 1.9 | 50 |
| 304IR4C-L5 | | 850 | 75 | | | |
| Product Model | Angle(°) | WD(nm) | I0(mw/sr) | VF(V) | | IF(mA) |
| | | | | min | max | |
| 503IR3C-L3 | 15 | 940 | 71 | 1.3 | 1.9 | 50 |
| 503IR4C-L5 | | 850 | 154 | | | |



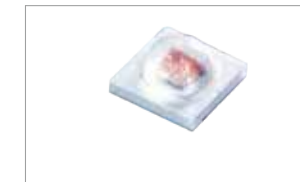
PLANT GROWTH LIGHTING

HIGH POWER LED C3535

Features

- Ceramic substrate and thermoelectrical separation design
- Customized wavelength and proportioning is available
- High Reliability, High Brightness, High efficacy, Low thermal resistance
- High Luminous efficacy, Universal design in 1W and 3W
- Suitable for all SMT assembly and soldering process
- Application: LED Plant growth light & LED aquarium light

C3535



Product Specification

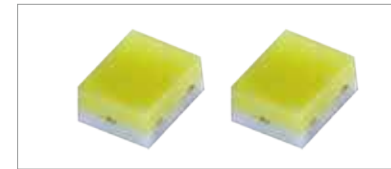
| Product Model | Color | VF(V) | IF(mA) Standard | IF(mA) max. | Wavelength(nm) |
|--------------------|----------|----------|-----------------|-------------|------------------|
| HL-C3535F3V3EA-ZW | ■ | 3.0-3.8V | 500mA | 700mA | λp=387.5-392.5nm |
| HL-C3535F26B3EA-ZW | ■ | 3.0-3.8V | 500mA | 700mA | λd=440-445nm |
| HL-C3535K4B3EA-ZW | ■ | 3.0-3.8V | 500mA | 700mA | λd=460-470nm |
| HL-C3535F5R3EA-ZW | ■ | 2.0-2.6V | 500mA | 700mA | λp=655-665nm |
| HL-C3535F4IR3EA-ZW | Infrared | 2.0-2.6V | 500mA | 700mA | λp=735-745nm |

FLASH LED

FLIP CHIP 2016 FLIP CHIP PACKAGE

Features

- Small size, high current, high brightness
- Flip chip without golden wire, Zero risk of golden wire breakage.
- Eutectic process, low thermal resistance
- High thermal conductive material, better reliability



Applications

- Photo Flash
- Mobile Flash



Product Specification

Rated forward pulse Current: 350mA, peak forward pulse current: 500mA

| Product Model | Size (L*W*Hmm) | Color | CCT (K) | IF(Typ. Luminous Flux(lm)) max. | IF(mA) |
|---------------|----------------|-------|-----------|---------------------------------|--------|
| XC2016F74W | 2.0×1.6×0.8 | White | 5000~7000 | 50~60 | 150 |
| | | | | 110~140 | 350 |
| | | | | 140~170 | 500 |

Rated forward pulse Current: 700mA, peak forward pulse current: 1000mA

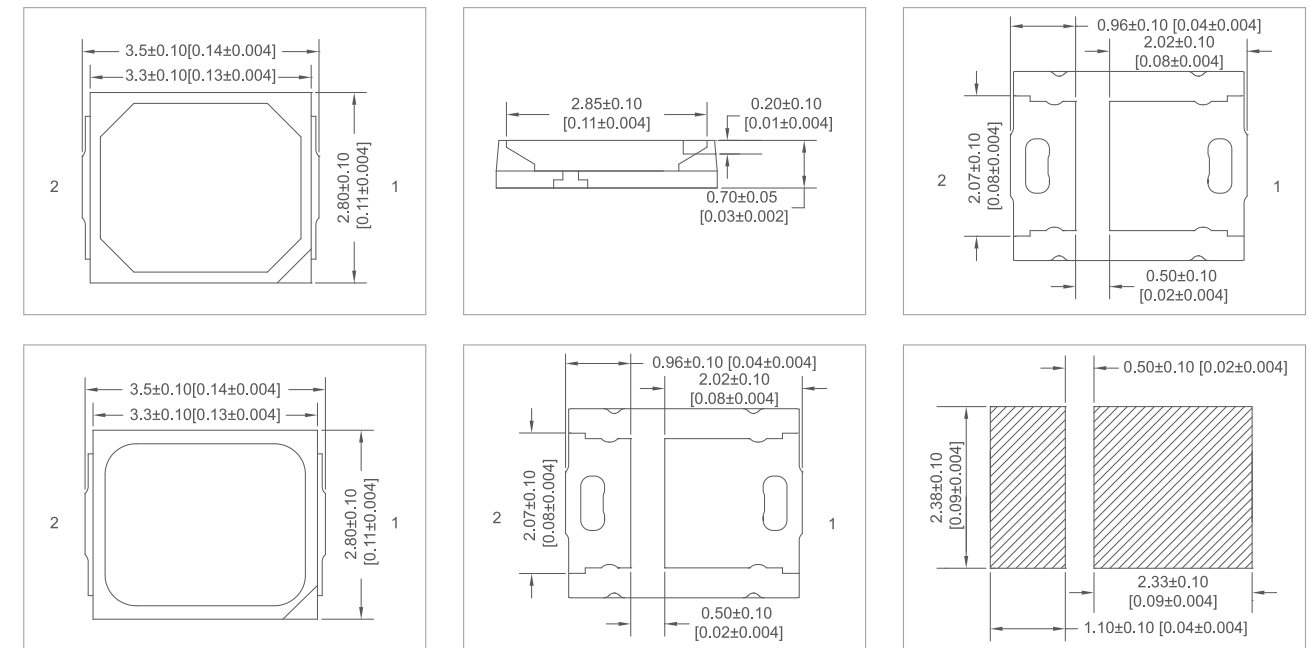
| Product Model | wSize (L*W*Hmm) | Color | CCT (K) | IF(Typ. Luminous Flux(lm)) max. | IF(mA) |
|---------------|-----------------|-------|-----------|---------------------------------|--------|
| XC2016F53W | 2.0×1.6×0.8 | White | 5000~7000 | 110~140 | 350 |
| | | | | 140~170 | 500 |
| | | | | 170~230 | 700 |
| | | | | 240~320 | 1000 |



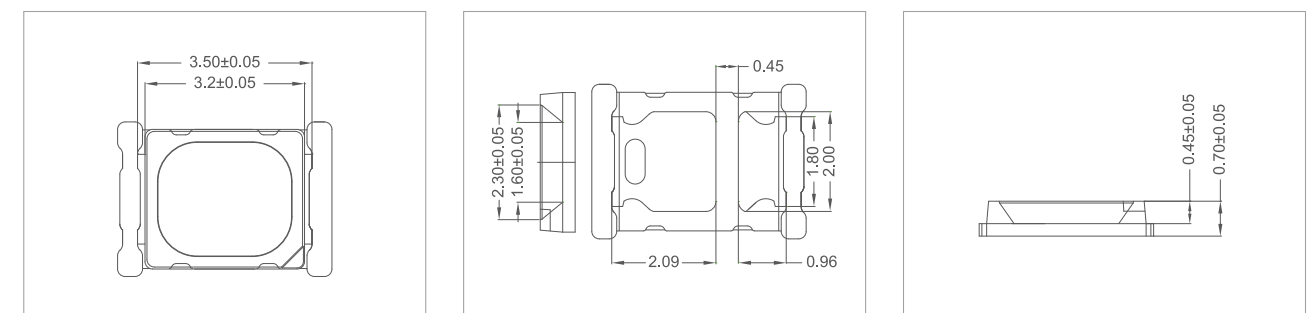
PACKAGE DIMENSIONS

SMD LED

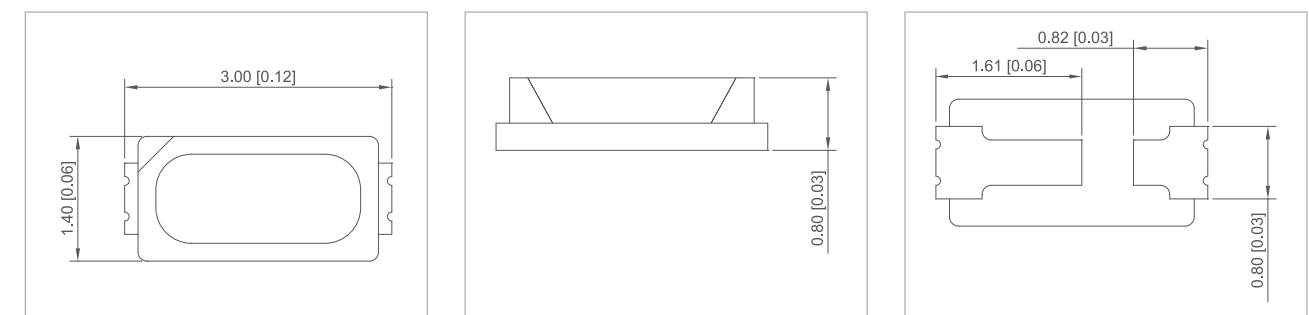
2835 SIZE:2.8×3.5×0.7mm



2835-PCT SIZE:2.8×3.5×0.7mm

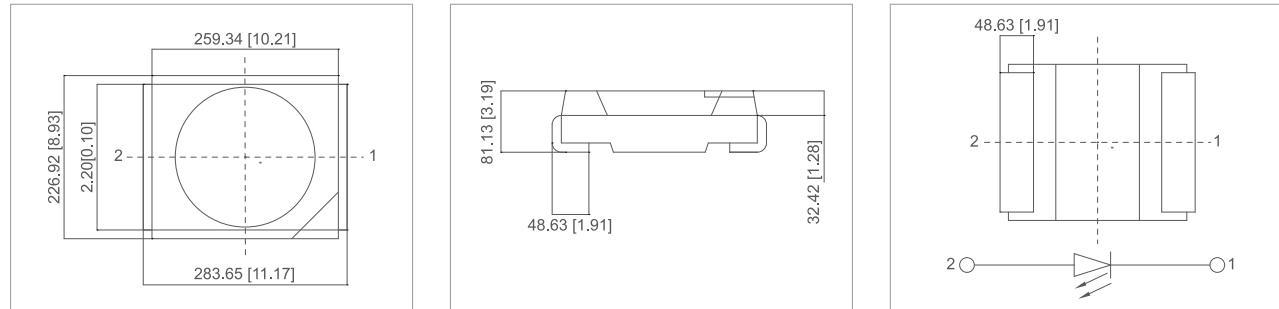


3014 SIZE:3.0×1.4×0.8mm

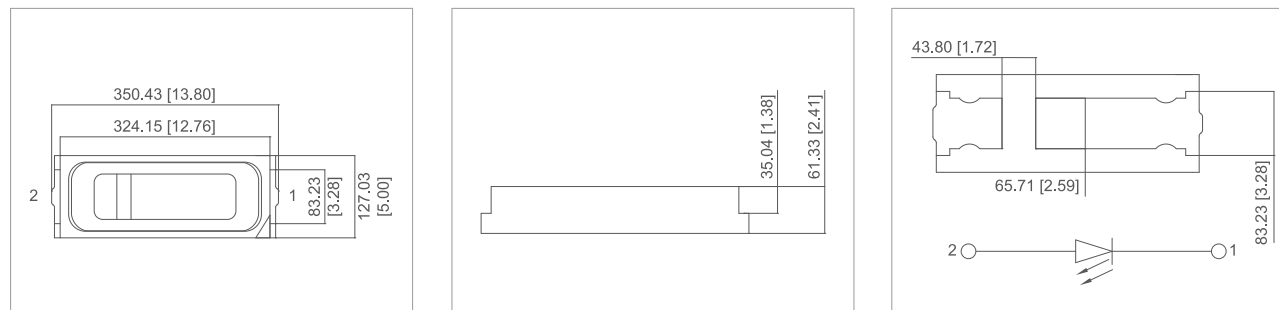


PACKAGE DIMENSIONS

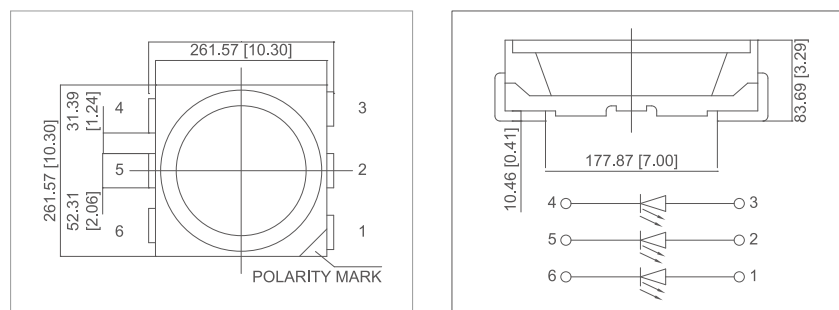
3528 SIZE:3.5×2.8×1.4mm



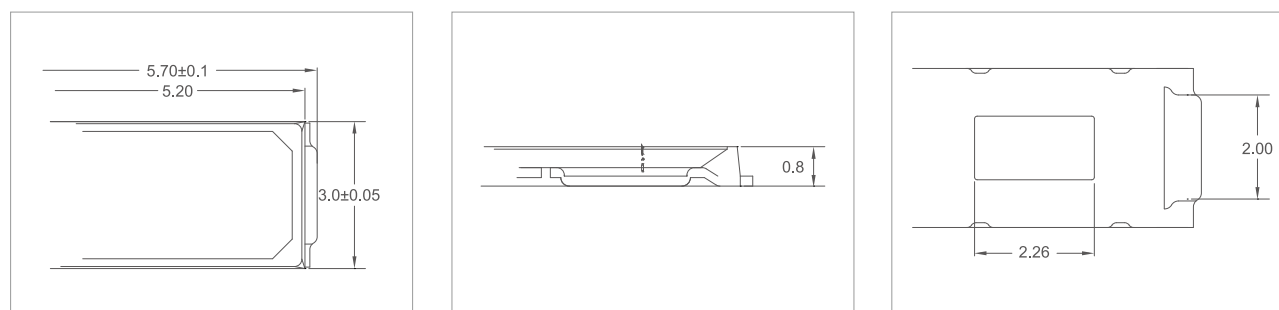
4014 SIZE:4.0×1.4×0.7mm



5060 SIZE:5.4×5.0×1.6mm

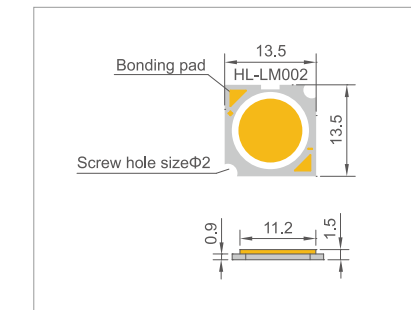


5730 SIZE:5.7×3.0×0.8mm

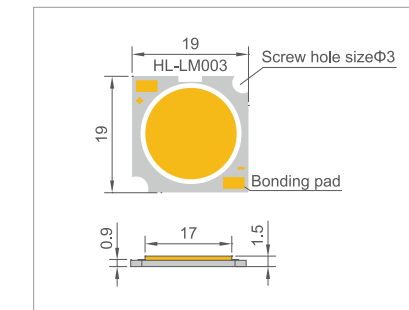


COB LED

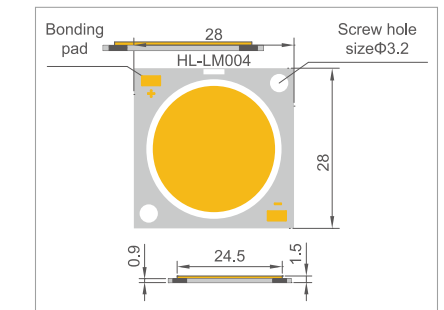
LM002 SIZE:13.5×13.5×1.5mm



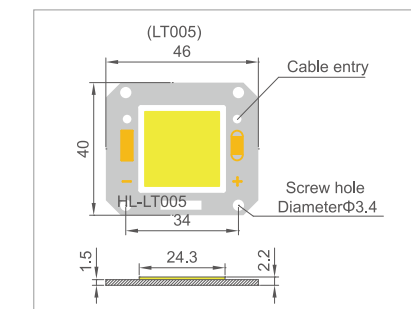
LM003 SIZE:19×19×1.5mm



LM004 SIZE:28×28×1.5mm

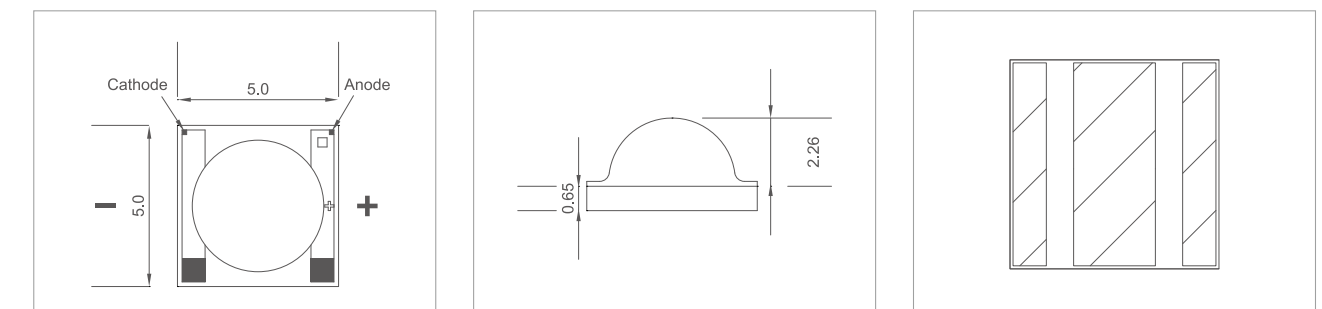


LT005 SIZE:40×46×2.2mm

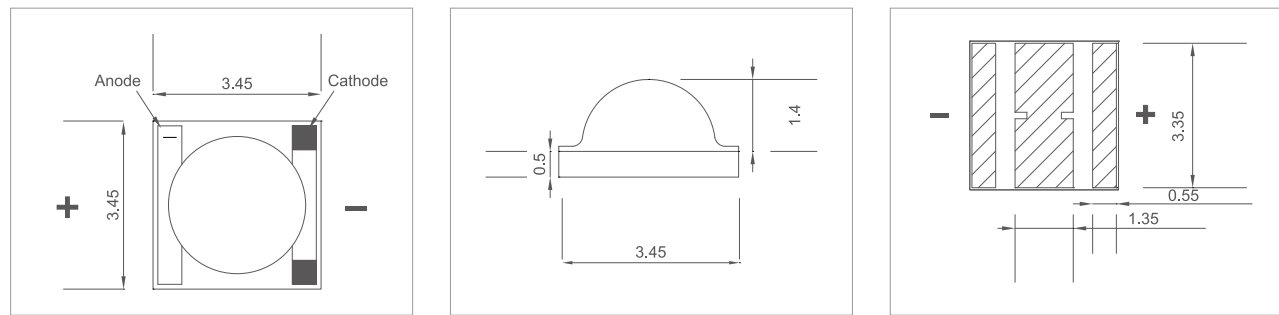


HIGH POWER LED

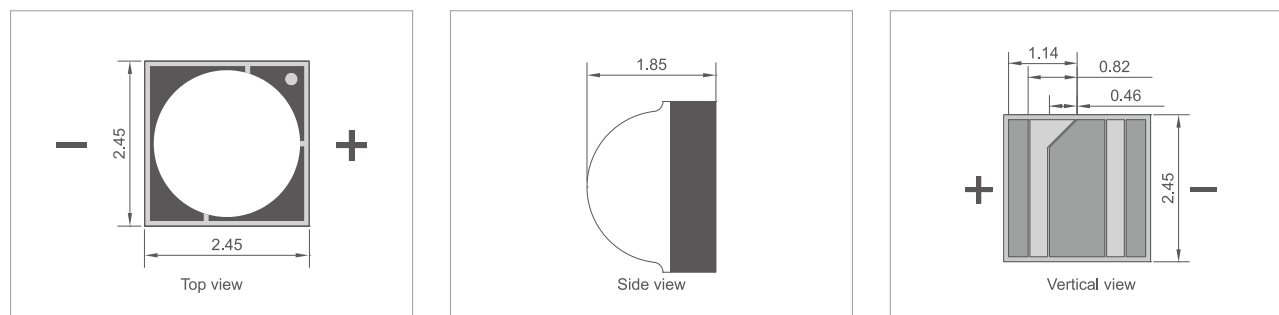
C5050 SIZE:5.0×5.0×2.94mm



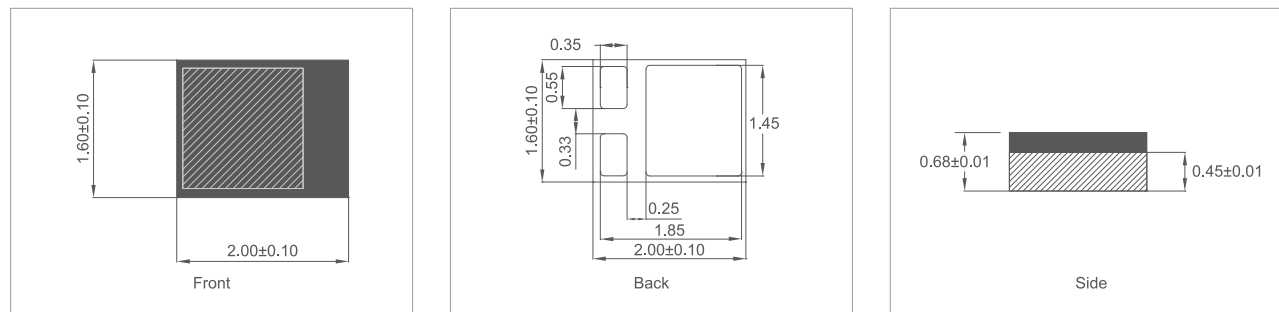
C3535 SIZE:3.45×3.45×1.9mm



C2525 SIZE:2.45×2.45×1.85mm



C2016 SIZE:2.0×1.6×0.68mm



FLASH LED

2016 SIZE:2.0×1.6×0.8mm

